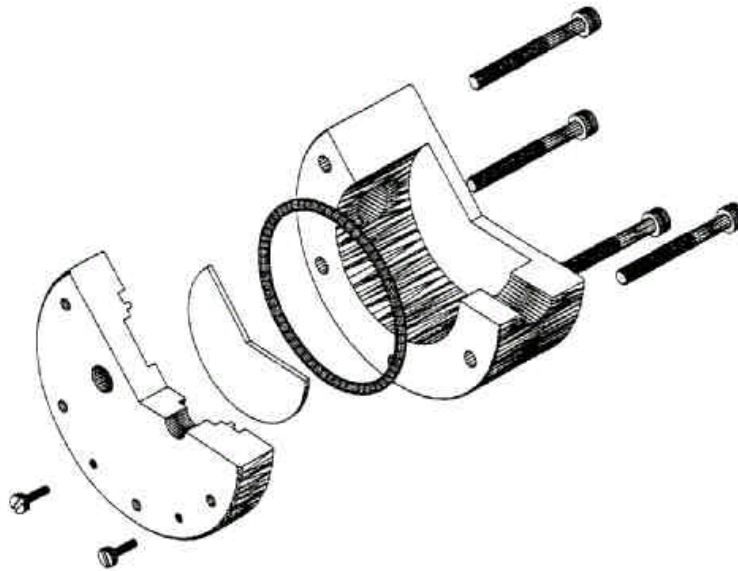


## By-Pass Filter for liquid service



The design facilitates large filter surface combined with small volume and is ideal for use with Wet Chemistry analysis. The filter element is easily accessible for cleaning and replacement.

### Materials of construction

PN	612001	612002
Body	AISI-316	high density poly ethylene
Support	AISI-316	Kynar
Filter	TFE	10 micron

Alternative materials on request available.

Optional outlet/dilution port available.

Filter surface	21,6 cm <sup>2</sup>
Volume	4,8 cm <sup>3</sup>

### Connections

Inlet / outlet	3/8 NPT-F
Sample outlet	1/8 NPT-F

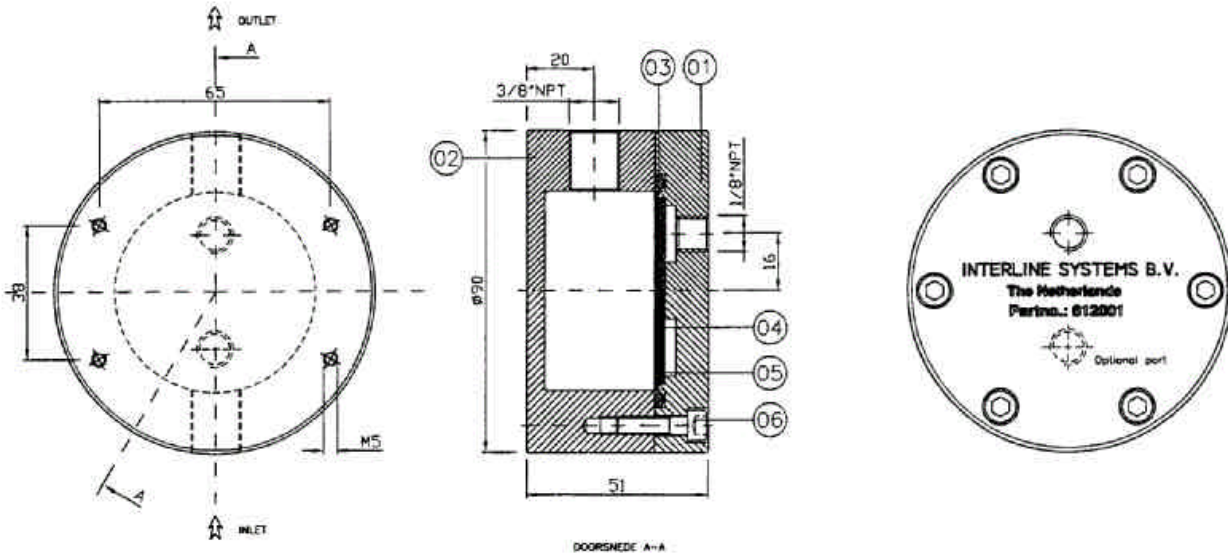
### Ordering information

612001	By-pass filter - complete stainless steel
612002	By-pass filter - complete HDPE
612012	Filter replacement kit
612021	Support pad (stainless steel)
612022/K	Support pad (Kynar)

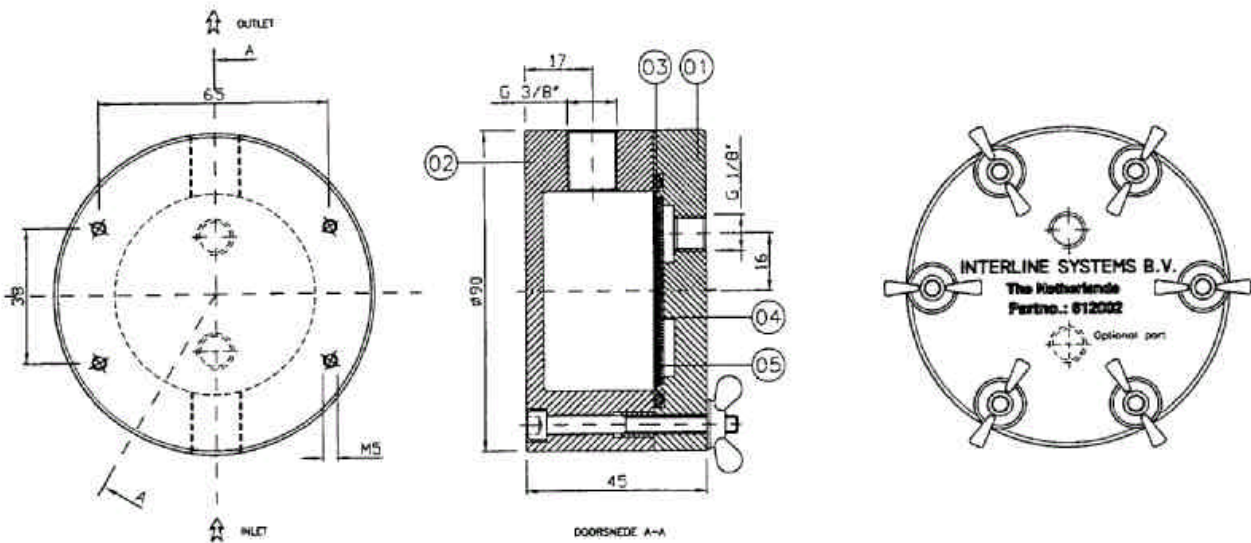
*Interline Systems BV has adopted the policy of continuous product development.*

*Although this bulletin has been compiled with great care, current standard executions may deviate.*

## Separator Filter 612001



## Separator Filter 612002



**Interline**

### Interline Systems BV

Ampèrestraat 3  
1704 SM Heerhugowaard  
The Netherlands  
tel. 00 31 (0) 72 576 08 40  
fax. 00 31 (0) 72 576 08 44

Internet: [www.interline.nl](http://www.interline.nl)  
E-mail: [info@interline.nl](mailto:info@interline.nl)